



REPLY TO  
ATTENTION OF

DEPARTMENT OF THE ARMY  
THE INSTITUTE OF HERALDRY  
1320 CHRISTOPHER ROAD, ROOM 9112  
FORT BELVOIR, VIRGINIA 22060-8579

AAHS-IHS (840-10a)

07 NOV 2006

MEMORANDUM FOR Commander, Troop C, 1st Squadron, 158th Cavalry Regiment,  
ATTN: SSG Nick Pitz, 18500 Roxbury Road, Hagerstown, MD 21740

SUBJECT: Beret Flash and Background Trimming for the C Troop, 1st Squadron,  
158th Cavalry Regiment

1. The beret flash and background trimming redesignated effective this date for C Troop, 1st Squadron, 158th Cavalry Regiment, was:

a. **Originally approved** for the Long Range Surveillance Detachment, 1<sup>st</sup> Squadron, 158<sup>th</sup> Cavalry Regiment by letter DAPC-PDH-A, The Institute of Heraldry, 18 May 1987.

b. **Redesignated** for Company E (Long Range Surveillance), 629<sup>th</sup> Military Intelligence Battalion by letter JDRP-IH-HS, The Institute of Heraldry, 5 January 2006.

2. The descriptions of the designs are as follows:

#### BERET FLASH

A shield-shaped embroidered item with a semi-circular base edged with a 1/8 inch (.32 cm) white border, 2 1/4 inches (5.72 cm) in height by 1 7/8 inches (4.76 cm) in width, divided diagonally from upper right to lower left scarlet over white and bearing two 3/16 inch (.48 cm) diagonal stripes, golden yellow over black from upper right to lower left.

#### BACKGROUND TRIMMING

An oval-shaped embroidered item edged with a 1/8 inch (.32 cm) white border, 1 3/8 inches (3.49 cm) in height and 2 1/4 inches (5.72 cm) in width overall, divided diagonally from upper right to lower left scarlet over white and bearing two 3/16 inch (.48 cm) diagonal stripes, golden yellow over black from upper right to lower left.

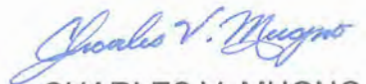
#### CABLE NUMBERS OF COLORS

Golden Yellow	#67104
Black	#67138
Scarlet	#67111
White	#67101

AAHS-IHS (840-10a)

SUBJECT: Beret Flash and Background Trimming for the C Troop, 1st Squadron,  
158th Cavalry Regiment

3. This authorization does not grant exclusive use of the above colors and pattern design for C Troop, 1st Squadron, 158th Cavalry Regiment.

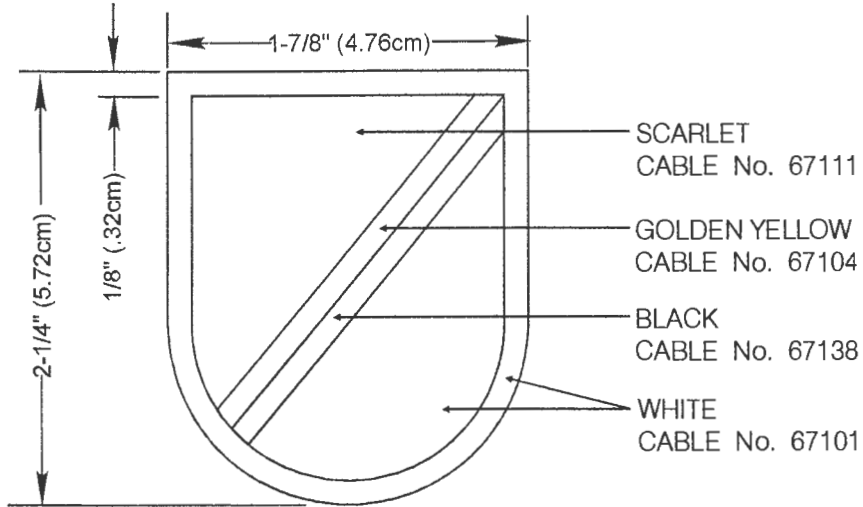


CHARLES V. MUGNO  
Director

CF: CMH

**REVISIONS**

LTR	DESCRIPTION	DATE	APPROVED
<b>A</b>	<b>REDESIGNATION.</b>	<b>22 OCT 2013</b>	<i>Charles V. Mugno</i> CHARLES V. MUGNO DIRECTOR



**DESIGNED FOR OVEREDGE STITCHING**

**FORMERLY: COMPANY E (LONG RANGE SURVEILLANCE), 629TH MILITARY INTELLIGENCE BATTALION**

UNLESS OTHERWISE SPECIFIED DIMENSIONS ARE IN INCHES  
TOLERANCES ON FRACTIONS DECIMALS ANGLES

MATERIALS:  
TO BE MANUFACTURED IN ACCORDANCE WITH MIL-DTL-14652

EXAMINED	<i>SW/H</i>
CHECKED	pm
PREPARED	CLH
APPROVED	<i>Charles V. Mugno</i> CHARLES V. MUGNO DIRECTOR

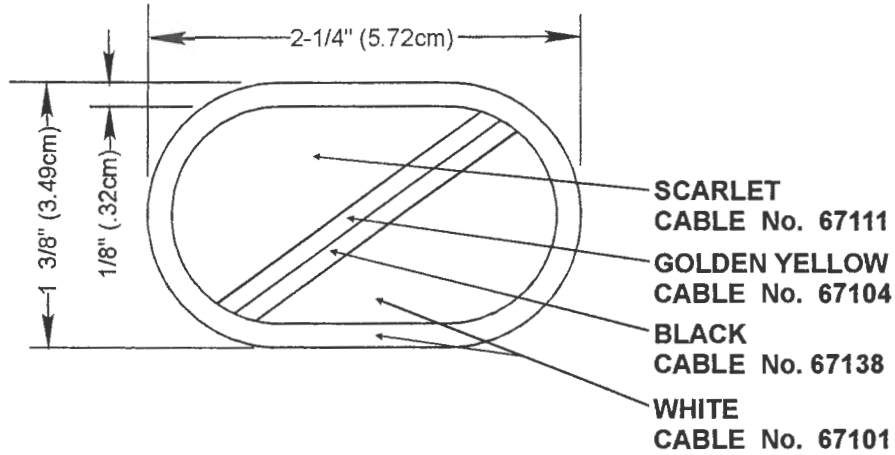
THE INSTITUTE OF HERALDRY, DEPARTMENT OF THE ARMY  
9325 GUNSTON RD. S-113 FORT BELVOIR, VA 22060-5579

BERET FLASH FOR  
***C TROOP, 1ST SQUADRON***  
***158TH CAVALRY REGIMENT***

SIZE	CONTROL IDENT. NO	<b>A - 4 - 28</b>
<b>A</b>	<b>22571</b>	
SCALE	DATE	<b>28 DECEMBER 2005</b>
FULL		

**REVISIONS**

LTR	DESCRIPTION	DATE	APPROVED
<b>A</b>	<b>REDESIGNATION.</b>	<b>22 OCT 2013</b>	<i>Charles V. Mugno</i> CHARLES V. MUGNO DIRECTOR



**DESIGNED FOR OVEREDGE STITCHING**

**FORMERLY: COMPANY E (LONG RANGE SURVEILLANCE), 629TH MILITARY INTELLIGENCE BATTALION**

UNLESS OTHERWISE SPECIFIED DIMENSIONS ARE IN INCHES TOLERANCES ON FRACTIONS DECIMALS ANGLES	EXAMINED		<i>SWH</i>	THE INSTITUTE OF HERALDRY, DEPARTMENT OF THE ARMY 9325 GUNSTON RD. S-113 FORT BELVOIR, VA 22060-5579		
	CHECKED		<i>pm</i>	BACKGROUND TRIMMING FOR <b><i>C TROOP, 1ST SQUADRON</i></b> <b><i>158TH CAVALRY REGIMENT</i></b>		
MATERIALS: TO BE MANUFACTURED IN ACCORDANCE WITH MIL-DTL-14652	PREPARED		<i>CLH</i>			
	APPROVED		<i>Charles V. Mugno</i> CHARLES V. MUGNO DIRECTOR	<b>A</b>	<b>22571</b>	
			SCALE	FULL	DATE	<b>28 DECEMBER 2005</b>

